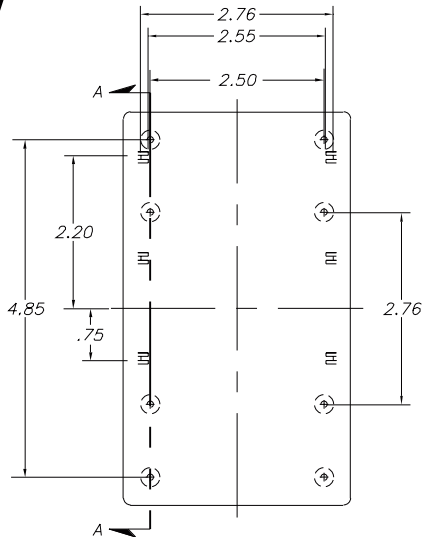
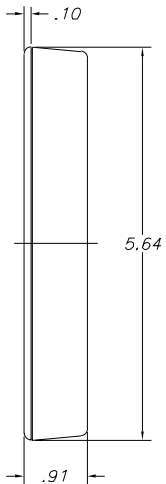
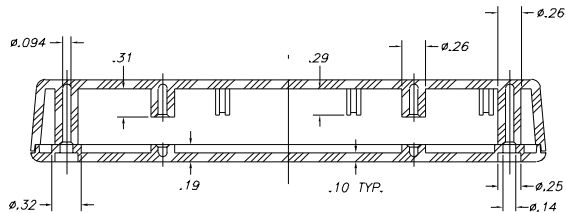
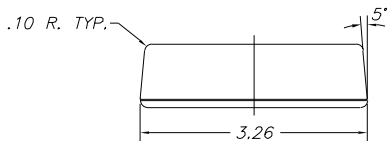
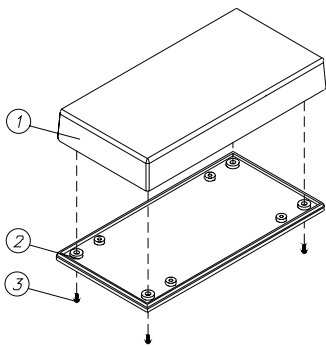
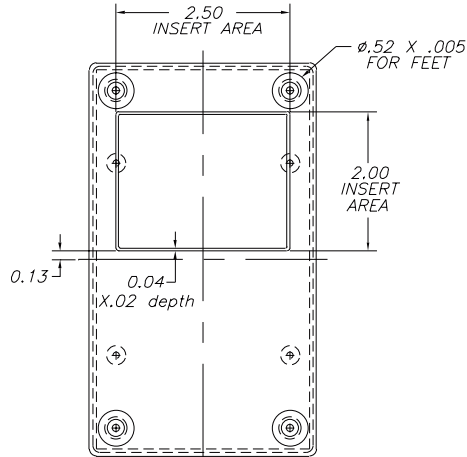


SERPAC 051

Electronics Enclosures



NOTES:
1. WHEN MACHINE OR I PLATES MODIFICATIONS ARE REQUIRED, USE THE CENTER OF THE BOX TO DIMENSION.



SECTION A-A

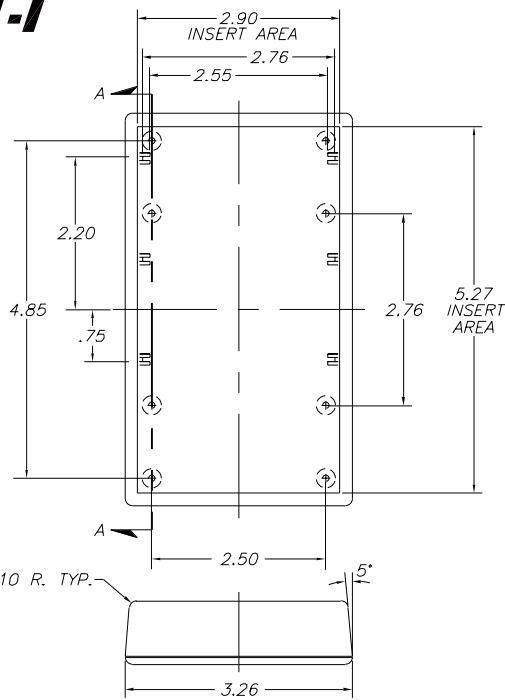
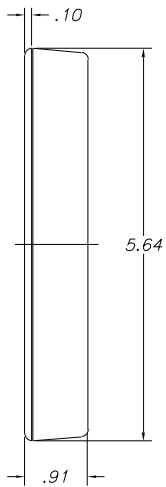
8-17-98.

ALL DIMENSIONS ± .010

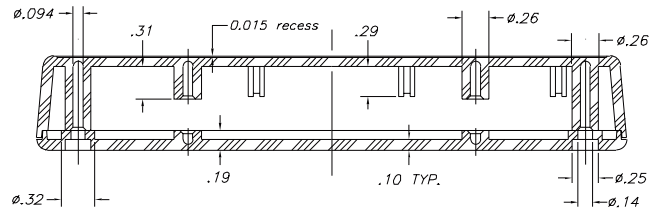
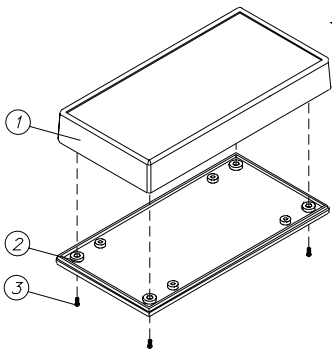
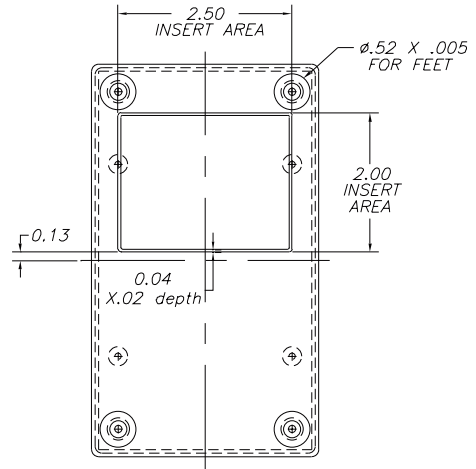
ITEM	PART NO.	DESCRIPTION	ACCESSORIES	
1	51	PLASTIC TOP	PART NO.	DESCRIPTION
2	05	PLASTIC BOTTOM	51	FEET
3	6005	SCREWS (4)	350	PROTOTYPE GRID BOARD (HORIZ.)
			450	PROTOTYPE CLAD BOARD (HORIZ.)

SERPAC 051-1

Electronics Enclosures



NOTES:
1. WHEN MACHINE OR I PLATES MODIFICATIONS ARE REQUIRED, USE THE CENTER OF THE BOX TO DIMENSION.



SECTION A-A

8-17-98.

ALL DIMENSIONS ± .010

ITEM	PART NO.	DESCRIPTION	PART NO.	ACCESSORIES DESCRIPTION
1	511	PLASTIC TOP	51	FEET
2	05	PLASTIC BOTTOM	350	PROTOTYPE GRID BOARD (HORIZ.)
3	6005	SCREWS (4)	450	PROTOTYPE CLAD BOARD (HORIZ.)